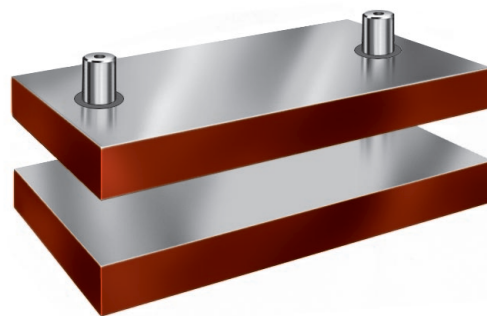
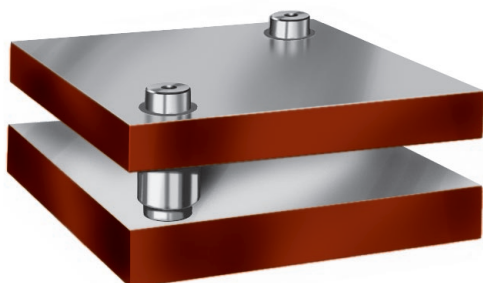




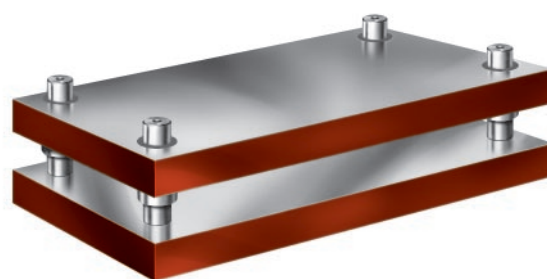
SR-R



SR-C



SR-D



SR-F

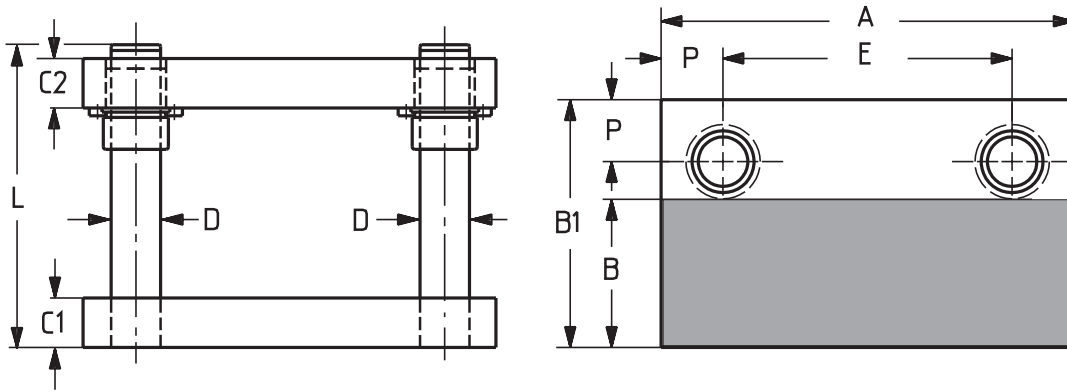
## ORDERING INFORMATION

When ordering please specify:

- (i) Quantity of die sets.
- (ii) Full die set catalogue reference eg. 4020-F-3. **Or** 4020-F-3/S, see (v) below.
- (iii) Quote guide pillar and bush reference numbers (see pages 4/2 to 4/7) **or** quote 'Standard Assembly'. In this case you will receive standard pillar length 'L' and long shoulder demountable bushes (type - 64).
- (iv) Shank reference number (see page 10/2) and position if required.
- (v) If stripper plate is required, add suffix /S to die set catalogue reference number and state required plate thickness.

N.B. The preferred standard for pillars and bushes are those shown on pages 4/2 to 4/5.

**FOR SIZES NOT LISTED IN THIS SECTION REFER TO PAGES 3/4 TO 3/11.**

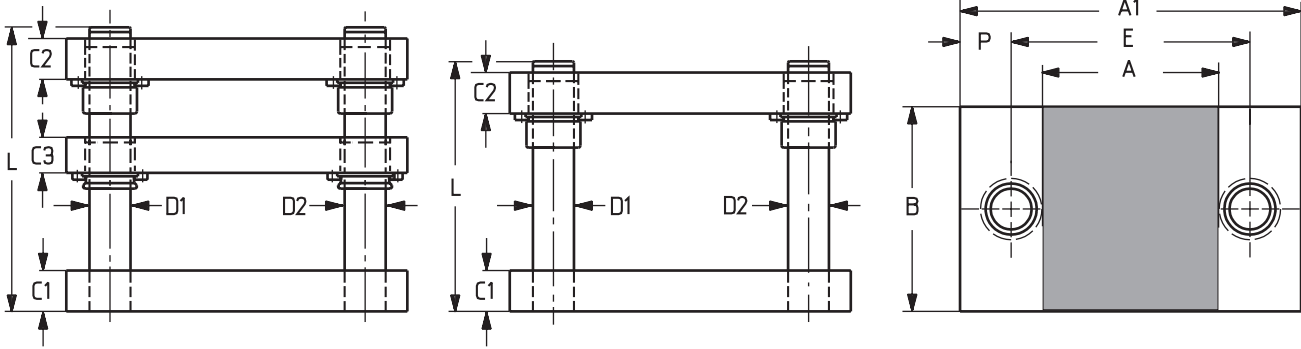


CATALOGUE NUMBER	DIE SPACE	B <sub>1</sub>	C <sub>1</sub> ±2	C <sub>2</sub> ±2	D	E	P	L
	A x B							
1610-R-1 1610-R-2 1610-R-3 1610-R-4	160 x 55	100	25 30 25 30	25 25 30 30	19	104	28	120
1612-R-1 1612-R-2 1612-R-3 1612-R-4	160 x 80	125	25 30 25 30	25 25 30 30				
1615-R-1 1615-R-2 1615-R-3 1615-R-4	160 x 105	150	25 30 25 30	25 25 30 30				
2012-R-1 2012-R-2 2012-R-3 2012-R-4	200 x 64	125	30 40 30 40	30 30 40 40				
2015-R-1 2015-R-2 2015-R-3 2015-R-4	200 x 89	150	30 40 30 40	30 30 40 40	25	122	39	140
2017-R-1 2017-R-2 2017-R-3 2017-R-4	200 x 114	175	30 40 30 40	30 30 40 40				
2020-R-1 2020-R-2 2020-R-3 2020-R-4	200 x 139	200	30 40 30 40	30 30 40 40				
2512-R-1 2512-R-2 2512-R-3 2512-R-4	250 x 64	125	30 40 30 40	30 30 40 40				
2515-R-1 2515-R-2 2515-R-3 2515-R-4	250 x 89	150	30 40 30 40	30 30 40 40	25	172	39	160
2517-R-1 2517-R-2 2517-R-3 2517-R-4	250 x 114	175	30 40 30 40	30 30 40 40				
2520-R-1 2520-R-2 2520-R-3 2520-R-4	250 x 139	200	30 40 30 40	30 30 40 40				
2525-R-1 2525-R-2 2525-R-3 2525-R-4	250 x 189	250	30 40 30 40	30 30 40 40				
3117-R-1 3117-R-2 3117-R-3 3117-R-4	315 x 104	175	40 50 40 50	40 40 50 50	32	225	45	180
3120-R-1 3120-R-2 3120-R-3 3120-R-4	315 x 129	200	40 50 40 50	40 40 50 50				

Rear pillar die sets can be supplied with reversed configuration (longer from front to back).

CATALOGUE NUMBER	DIE SPACE	B <sub>1</sub>	C <sub>1±2</sub>	C <sub>2±2</sub>	D	E	P	L
	A x B							
3125-R-1 3125-R-2 3125-R-3 3125-R-4	315 x 179	250	40 50 40 50	40 40 50 50	32	225	45	180
3131-R-1 3131-R-2 3131-R-3 3131-R-4	315 x 244	315	40 50 40 50	40 40 50 50				
4020-R-1 4020-R-2 4020-R-3 4020-R-4	400 x 129	200	40 50 40 50	40 40 50 50	32	310	45	200
4025-R-1 4025-R-2 4025-R-3 4025-R-4	400 x 179	250	40 50 40 50	40 40 50 50				
4031-R-1 4031-R-2 4031-R-3 4031-R-4	400 x 230	315	40 50 40 50	40 40 50 50	40	292	54	200
4040-R-1 4040-R-2 4040-R-3 4040-R-4	400 x 315	400	40 50 40 50	40 40 50 50				
5025-R-1 5025-R-2 5025-R-3 5025-R-4	500 x 165	250	40 50 40 50	40 40 50 50	40	392	54	220
5031-R-1 5031-R-2 5031-R-3 5031-R-4	500 x 230	315	40 50 40 50	40 40 50 50				
5040-R-1 5040-R-2 5040-R-3 5040-R-4	500 x 315	400	40 50 40 50	40 40 50 50	50	512	59	240
5050-R-1 5050-R-2 5050-R-3 5050-R-4	500 x 415	500	40 50 40 50	40 40 50 50				
6331-R-1 6331-R-2 6331-R-3 6331-R-4	630 x 218	315	50 58 50 58	50 50 58 58	50	512	59	240
6340-R-1 6340-R-2 6340-R-3 6340-R-4	630 x 303	400	50 58 50 58	50 50 58 58				
6350-R-1 6350-R-2 6350-R-3 6350-R-4	630 x 403	500	50 58 50 58	50 50 58 58	50	592	59	260
6363-R-1 6363-R-2 6363-R-3 6363-R-4	630 x 533	630	50 58 50 58	50 50 58 58				
7140-R-1 7140-R-2 7140-R-3 7140-R-4	710 x 303	400	58 63 58 63	58 58 63 63	50	592	59	260
7150-R-1 7150-R-2 7150-R-3 7150-R-4	710 x 403	500	58 63 58 63	58 58 63 63				
7163-R-1 7163-R-2 7163-R-3 7163-R-4	710 x 533	630	58 63 58 63	58 58 63 63	50	682	59	260
8040-R-1 8040-R-2 8040-R-3 8040-R-4	800 x 303	400	58 63 58 63	58 58 63 63				
8050-R-1 8050-R-2 8050-R-3 8050-R-4	800 x 403	500	58 63 58 63	58 58 63 63	50	682	59	260
8063-R-1 8063-R-2 8063-R-3 8063-R-4	800 x 533	630	58 63 58 63	58 58 63 63				

Demountable pillars type – 83, extra long bushes type – 65, sintered bronze, and Sinterlube bushes can be fitted at extra cost.

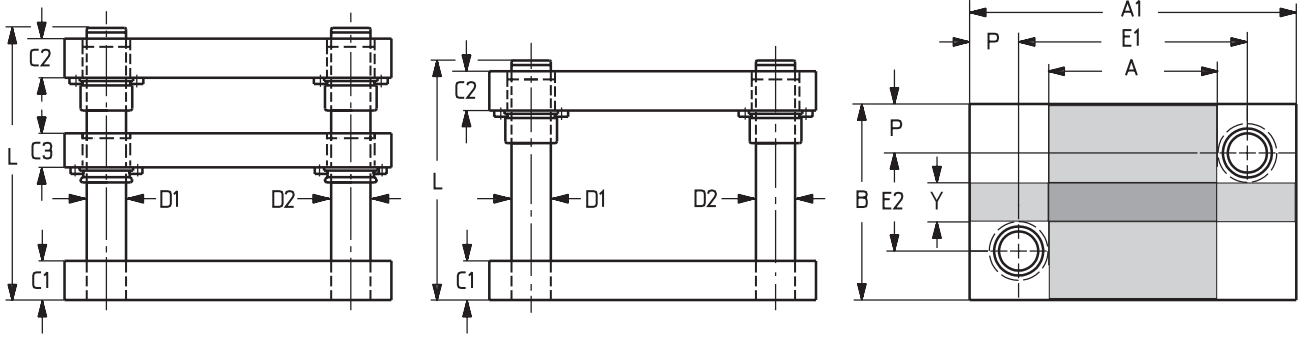


### C3 PLATE TO ORDER

CATALOGUE NUMBER	DIE SPACE	A <sub>1</sub>	C <sub>1</sub> ±2	C <sub>2</sub> ±2	D <sub>1</sub>	D <sub>2</sub>	E	P	L
	A x B								
1608-C-1 1608-C-2 1608-C-3 1608-C-4	70 x 80	160	25 30 25 30	25 25 30 30	18	19	104	28	120
1612-C-1 1612-C-2 1612-C-3 1612-C-4	70 x 125	160	25 30 25 30	25 25 30 30					
1615-C-1 1615-C-2 1615-C-3 1615-C-4	70 x 150	160	25 30 25 30	25 25 30 30					
2010-C-1 2010-C-2 2010-C-3 2010-C-4	78 x 100	200	30 40 30 40	30 30 40 40					
2017-C-1 2017-C-2 2017-C-3 2017-C-4	78 x 175	200	30 40 30 40	30 30 40 40	24	25	122	39	140
2020-C-1 2020-C-2 2020-C-3 2020-C-4	78 x 200	200	30 40 30 40	30 30 40 40					
2512-C-1 2512-C-2 2512-C-3 2512-C-4	128 x 125	250	30 40 30 40	30 30 40 40					
2515-C-1 2515-C-2 2515-C-3 2515-C-4	128 x 150	250	30 40 30 40	30 30 40 40					
2517-C-1 2517-C-2 2517-C-3 2517-C-4	128 x 175	250	30 40 30 40	30 30 40 40	24	25	172	39	160
2520-C-1 2520-C-2 2520-C-3 2520-C-4	128 x 200	250	30 40 30 40	30 30 40 40					
2525-C-1 2525-C-2 2525-C-3 2525-C-4	128 x 250	250	30 40 30 40	30 30 40 40					
3117-C-1 3117-C-2 3117-C-3 3117-C-4	175 x 175	315	40 50 40 50	40 40 50 50					
3120-C-1 3120-C-2 3120-C-3 3120-C-4	175 x 200	315	40 50 40 50	40 40 50 50	25	32	225	45	180
3125-C-1 3125-C-2 3125-C-3 3125-C-4	175 x 250	315	40 50 40 50	40 40 50 50					
3131-C-1 3131-C-2 3131-C-3 3131-C-4	175 x 315	315	40 50 40 50	40 40 50 50					

CATALOGUE NUMBER	DIE SPACE	A <sub>1</sub>	C <sub>1±2</sub>	C <sub>2±2</sub>	D <sub>1</sub>	D <sub>2</sub>	E	P	L
	A x B								
4020-C-1 4020-C-2 4020-C-3 4020-C-4	230 x 200	400	40 50 40 50	40 40 50 50	32	40	292	54	200
4025-C-1 4025-C-2 4025-C-3 4025-C-4	230 x 250	400	40 50 40 50	40 40 50 50					
4031-C-1 4031-C-2 4031-C-3 4031-C-4	230 x 315	400	40 50 40 50	40 40 50 50					
4040-C-1 4040-C-2 4040-C-3 4040-C-4	230 x 400	400	40 50 40 50	40 40 50 50					
5025-C-1 5025-C-2 5025-C-3 5025-C-4	330 x 250	500	40 50 40 50	40 40 50 50	32	40	392	54	220
5031-C-1 5031-C-2 5031-C-3 5031-C-4	330 x 315	500	40 50 40 50	40 40 50 50					
5040-C-1 5040-C-2 5040-C-3 5040-C-4	330 x 400	500	40 50 40 50	40 40 50 50					
5050-C-1 5050-C-2 5050-C-3 5050-C-4	330 x 500	500	40 50 40 50	40 40 50 50					
6331-C-1 6331-C-2 6331-C-3 6331-C-4	440 x 315	630	50 58 50 58	50 50 58 58	40	50	512	59	240
6340-C-1 6340-C-2 6340-C-3 6340-C-4	440 x 400	630	50 58 50 58	50 50 58 58					
6350-C-1 6350-C-2 6350-C-3 6350-C-4	440 x 500	630	50 58 50 58	50 50 58 58					
6363-C-1 6363-C-2 6363-C-3 6363-C-4	440 x 630	630	50 58 50 58	50 50 58 58					
7140-C-1 7140-C-2 7140-C-3 7140-C-4	520 x 400	710	58 63 58 63	58 58 63 63	50	52	592	59	260
7150-C-1 7150-C-2 7150-C-3 7150-C-4	520 x 500	710	58 63 58 63	58 58 63 63					
7163-C-1 7163-C-2 7163-C-3 7163-C-4	520 x 630	710	58 63 58 63	58 58 63 63					
8040-C-1 8040-C-2 8040-C-3 8040-C-4	610 x 400	800	58 63 58 63	58 58 63 63					
8050-C-1 8050-C-2 8050-C-3 8050-C-4	610 x 500	800	58 63 58 63	58 58 63 63	50	52	682	59	260
8063-C-1 8063-C-2 8063-C-3 8063-C-4	610 x 630	800	58 63 58 63	58 58 63 63					

Demountable pillars type – 83, extra long bushes type – 65, sintered bronze, and Sinterlube bushes can be fitted at extra cost.



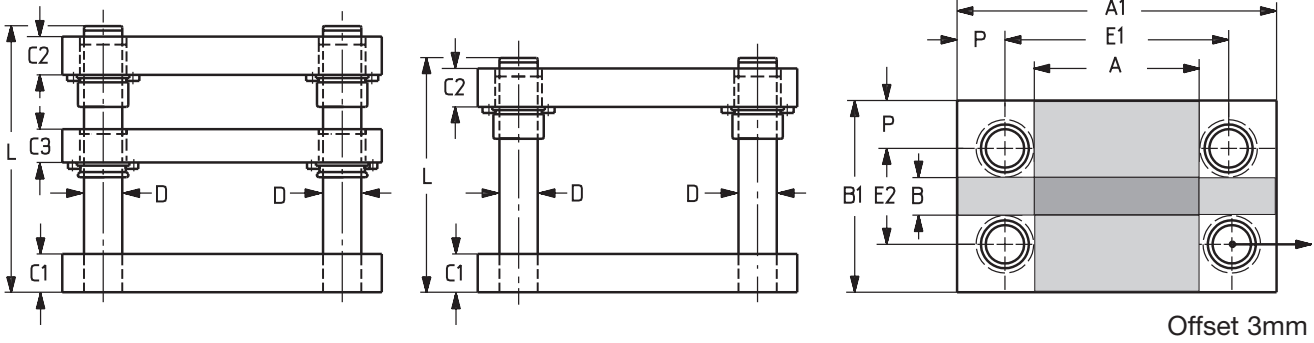
### C3 PLATE TO ORDER

Pillar positions can be mirrored if required.

CATALOGUE NUMBER	DIE SPACE	Y	A <sub>1</sub>	C <sub>1</sub> ±2	C <sub>2</sub> ±2	D <sub>1</sub>	D <sub>2</sub>	E <sub>1</sub>	E <sub>2</sub>	P	L
	A x B										
1612-D-1 1612-D-2 1612-D-3 1612-D-4	70 x 125	35	160	25 30 25 30	25 25 30 30	18	19	104	69	28	120
1615-D-1 1615-D-2 1615-D-3 1615-D-4	70 x 150	60	160	25 30 25 30	25 25 30 30			104	94		
2017-D-1 2017-D-2 2017-D-3 2017-D-4	78 x 175	53	200	30 40 30 40	30 30 40 40	24	25	122	97	39	140
2020-D-1 2020-D-2 2020-D-3 2020-D-4	78 x 200	78	200	30 40 30 40	30 30 40 40			122	122		
2515-D-1 2515-D-2 2515-D-3 2515-D-4	128 x 150	28	250	30 40 30 40	30 30 40 40	24	25	172	72	39	160
2517-D-1 2517-D-2 2517-D-3 2517-D-4	128 x 175	53	250	30 40 30 40	30 30 40 40			172	97		
2520-D-1 2520-D-2 2520-D-3 2520-D-4	128 x 200	78	250	30 40 30 40	30 30 40 40	24	25	172	122	39	160
2525-D-1 2525-D-2 2525-D-3 2525-D-4	128 x 250	128	250	30 40 30 40	30 30 40 40			172	172		
3117-D-1 3117-D-2 3117-D-3 3117-D-4	175 x 175	33	315	40 50 40 50	40 40 50 50	25	32	225	85	45	180
3120-D-1 3120-D-2 3120-D-3 3120-D-4	175 x 200	58	315	40 50 40 50	40 40 50 50			225	110		
3125-D-1 3125-D-2 3125-D-3 3125-D-4	175 x 250	108	315	40 50 40 50	40 40 50 50	25	32	225	160	45	180
3131-D-1 3131-D-2 3131-D-3 3131-D-4	175 x 315	175	315	40 50 40 50	40 40 50 50			225	225		

CATALOGUE NUMBER	DIE SPACE	Y	A <sub>1</sub>	C <sub>1±2</sub>	C <sub>2±2</sub>	D <sub>1</sub>	D <sub>2</sub>	E <sub>1</sub>	E <sub>2</sub>	P	L
	A x B										
4020-D-1 4020-D-2 4020-D-3 4020-D-4	230 x 200	32	400	40 50 40 50	40 40 50 50	32	40	292	92	54	200
4025-D-1 4025-D-2 4025-D-3 4025-D-4	230 x 250	82	400	40 50 40 50	40 40 50 50			292	142		
4031-D-1 4031-D-2 4031-D-3 4031-D-4	230 x 315	147	400	40 50 40 50	40 40 50 50			292	207		
4040-D-1 4040-D-2 4040-D-3 4040-D-4	230 x 400	230	400	40 50 40 50	40 40 50 50			292	292		
5025-D-1 5025-D-2 5025-D-3 5025-D-4	330 x 250	82	500	40 50 40 50	40 40 50 50	32	40	392	142	54	220
5031-D-1 5031-D-2 5031-D-3 5031-D-4	330 x 315	147	500	40 50 40 50	40 40 50 50			392	207		
5040-D-1 5040-D-2 5040-D-3 5040-D-4	330 x 400	232	500	40 50 40 50	40 40 50 50			392	292		
5050-D-1 5050-D-2 5050-D-3 5050-D-4	330 x 500	330	500	40 50 40 50	40 40 50 50			392	392		
6331-D-1 6331-D-2 6331-D-3 6331-D-4	440 x 315	121	630	50 58 50 58	50 50 58 58	40	50	512	197	59	240
6340-D-1 6340-D-2 6340-D-3 6340-D-4	440 x 400	206	630	50 58 50 58	50 50 58 58			512	282		
6350-D-1 6350-D-2 6350-D-3 6350-D-4	440 x 500	306	630	50 58 50 58	50 50 58 58			512	382		
6363-D-1 6363-D-2 6363-D-3 6363-D-4	440 x 630	436	630	50 58 50 58	50 50 58 58			512	512		
7140-D-1 7140-D-2 7140-D-3 7140-D-4	520 x 400	206	710	58 63 58 63	58 58 63 63	50	52	592	282	59	260
7150-D-1 7150-D-2 7150-D-3 7150-D-4	520 x 500	306	710	58 63 58 63	58 58 63 63			592	382		
7163-D-1 7163-D-2 7163-D-3 7163-D-4	520 x 630	436	710	58 63 58 63	58 58 63 63			592	512		
8040-D-1 8040-D-2 8040-D-3 8040-D-4	610 x 400	206	800	58 63 58 63	58 58 63 63			682	282		
8050-D-1 8050-D-2 8050-D-3 8050-D-4	610 x 500	306	800	58 63 58 63	58 58 63 63	50	52	682	382	59	260
8063-D-1 8063-D-2 8063-D-3 8063-D-4	610 x 630	436	800	58 63 58 63	58 58 63 63			682	512		

Demountable pillars type – 83, extra long bushes type – 65, sintered bronze, and Sinterlube bushes can be fitted at extra cost.



### C3 PLATE TO ORDER

CATALOGUE NUMBER	BETWEEN BUSHES		A <sub>1</sub>	B <sub>1</sub>	C <sub>1</sub> ±2	C <sub>2</sub> ±2	D	E <sub>1</sub>	E <sub>2</sub>	P	L
	A	B									
1612-F-1 1612-F-2 1612-F-3 1612-F-4	70	35	160	125	25 30 25 30	25 25 30 30	19	104	69	28	120
1615-F-1 1615-F-2 1615-F-3 1615-F-4	70	60	160	150	25 30 25 30	25 25 30 30		104	94		
2012-F-1 2012-F-2 2012-F-3 2012-F-4	110	35	200	125	30 40 30 40	30 30 40 40	19	144	69	28	140
2015-F-1 2015-F-2 2015-F-3 2015-F-4	110	60	200	150	30 40 30 40	30 30 40 40		144	94		
2017-F-1 2017-F-2 2017-F-3 2017-F-4	110	85	200	175	30 40 30 40	30 30 40 40		144	119		
2020-F-1 2020-F-2 2020-F-3 2020-F-4	110	110	200	200	30 40 30 40	30 30 40 40		144	144		
2515-F-1 2515-F-2 2515-F-3 2515-F-4	128	28	250	150	30 40 30 40	30 30 40 40	25	172	72	39	160
2517-F-1 2517-F-2 2517-F-3 2517-F-4	128	53	250	175	30 40 30 40	30 30 40 40		172	97		
2520-F-1 2520-F-2 2520-F-3 2520-F-4	128	78	250	200	30 40 30 40	30 30 40 40		172	122		
2525-F-1 2525-F-2 2525-F-3 2525-F-4	128	128	250	250	30 40 30 40	30 30 40 40	172	172			
3117-F-1 3117-F-2 3117-F-3 3117-F-4	193	53	315	175	40 50 40 50	40 40 50 50	25	237	97	39	180
3120-F-1 3120-F-2 3120-F-3 3120-F-4	193	78	315	200	40 50 40 50	40 40 50 50		237	122		
3125-F-1 3125-F-2 3125-F-3 3125-F-4	193	128	315	250	40 50 40 50	40 40 50 50		237	172		
3131-F-1 3131-F-2 3131-F-3 3131-F-4	193	193	315	315	40 50 40 50	40 40 50 50	237	237			

CATALOGUE NUMBER	BETWEEN BUSHES		A <sub>1</sub>	B <sub>1</sub>	C <sub>1±2</sub>	C <sub>2±2</sub>	D	E <sub>1</sub>	E <sub>2</sub>	P	L
	A	B									
4020-F-1 4020-F-2 4020-F-3 4020-F-4	258	58	400	200	40 50 40 50	40 40 50 50	32	310	110	45	200
4025-F-1 4025-F-2 4025-F-3 4025-F-4	258	108	400	250	40 50 40 50	40 40 50 50		310	160		
4031-F-1 4031-F-2 4031-F-3 4031-F-4	258	173	400	315	40 50 40 50	40 40 50 50		310	225		
4040-F-1 4040-F-2 4040-F-3 4040-F-4	258	258	400	400	40 50 40 50	40 40 50 50		310	310		
5025-F-1 5025-F-2 5025-F-3 5025-F-4	358	108	500	250	40 50 40 50	40 40 50 50	32	410	160	45	220
5031-F-1 5031-F-2 5031-F-3 5031-F-4	358	173	500	315	40 50 40 50	40 40 50 50		410	225		
5040-F-1 5040-F-2 5040-F-3 5040-F-4	358	258	500	400	40 50 40 50	40 40 50 50		410	310		
5050-F-1 5050-F-2 5050-F-3 5050-F-4	358	358	500	500	40 50 40 50	40 40 50 50		410	410		
6331-F-1 6331-F-2 6331-F-3 6331-F-4	460	145	630	315	50 58 50 58	50 50 58 58	40	522	207	54	240
6340-F-1 6340-F-2 6340-F-3 6340-F-4	460	230	630	400	50 58 50 58	50 50 58 58		522	292		
6350-F-1 6350-F-2 6350-F-3 6350-F-4	460	330	630	500	50 58 50 58	50 50 58 58		522	392		
6363-F-1 6363-F-2 6363-F-3 6363-F-4	460	460	630	630	50 58 50 58	50 50 58 58		522	522		
7140-F-1 7140-F-2 7140-F-3 7140-F-4	516	206	710	400	58 63 58 63	58 58 63 63	50	592	282	59	260
7150-F-1 7150-F-2 7150-F-3 7150-F-4	516	306	710	500	58 63 58 63	58 58 63 63		592	382		
7163-F-1 7163-F-2 7163-F-3 7163-F-4	516	436	710	630	58 63 58 63	58 58 63 63		592	512		
8040-F-1 8040-F-2 8040-F-3 8040-F-4	606	206	800	400	58 63 58 63	58 58 63 63		50	682		
8050-F-1 8050-F-2 8050-F-3 8050-F-4	606	306	800	500	58 63 58 63	58 58 63 63	682		382		
8063-F-1 8063-F-2 8063-F-3 8063-F-4	606	436	800	630	58 63 58 63	58 58 63 63	682		512		

Demountable pillars type – 83, extra long bushes type – 65, sintered bronze, and Sinterlube bushes can be fitted at extra cost.

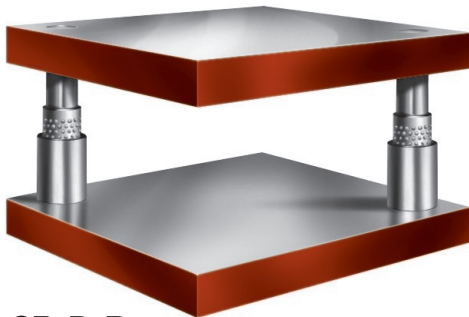
BLANK PAGE



SR-R-B



SR-C-B



SR-D-B



SR-F-B

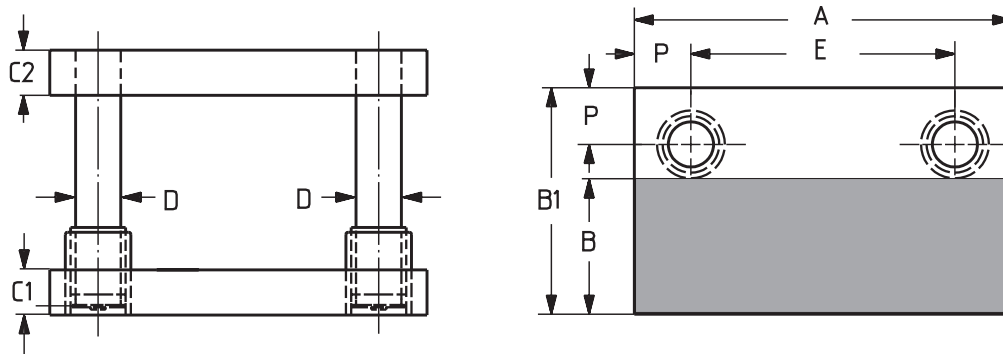
## ORDERING INFORMATION

When ordering please specify:

- (i) Quantity of die sets.
- (ii) Full die set catalogue reference eg. 4020-FB-3. **Or** 4020-FB-3/S, see (v) below.
- (iii) Guide pillar, bush and cage reference numbers (see pages 4/14 to 4/28).
- (iv) Shank reference number (see page 10/2) and position.
- (v) If stripper plate is required, add suffix /S to die set catalogue reference number and state required plate thickness.

N.B. Die space quoted in this section is when using straight sleeve bushes (type – 86). Any other bush types will reduce this area.

**FOR SIZES NOT LISTED IN THIS SECTION REFER TO PAGES 3/4 TO 3/11.**



## NOTES

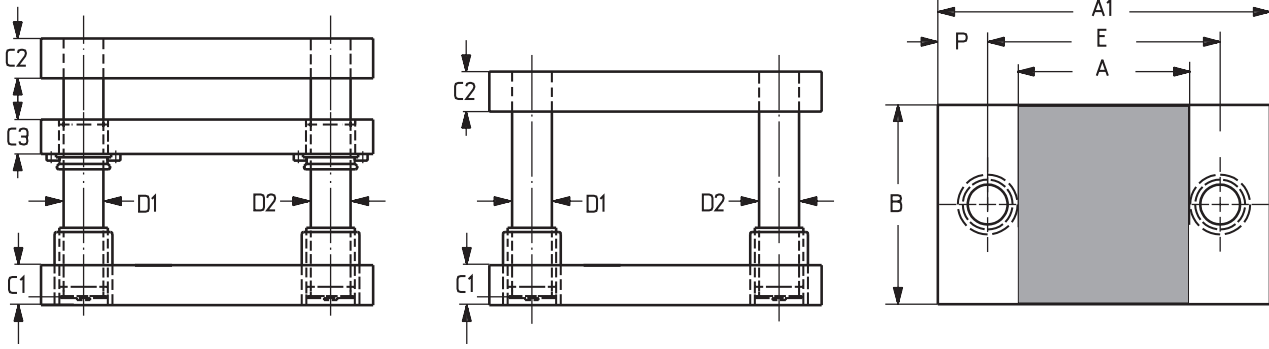
- When ordering state preferred ball bush type.
- Die sets with 19 diameter elements will have pillars in base and be fitted with BAC type bushes.\*
- When using demountable bushes die space **B** will be reduced.

CATALOGUE NUMBER	DIE SPACE	B <sub>1</sub>	C <sub>1</sub> ±2	C <sub>2</sub> ±2	D	E	P			
	A x B									
1610-R-B-1 1610-R-B-2 1610-R-B-3 1610-R-B-4	160 x 55	100	25 30 25 30	25 25 30 30	19*	104	28			
1612-R-B-1 1612-R-B-2 1612-R-B-3 1612-R-B-4	160 x 80	125	25 30 25 30	25 25 30 30						
1615-R-B-1 1615-R-B-2 1615-R-B-3 1615-R-B-4	160 x 105	150	25 30 25 30	25 25 30 30						
2012-R-B-1 2012-R-B-2 2012-R-B-3 2012-R-B-4	200 x 64	125	30 40 30 40	30 30 40 40				25	122	39
2015-R-B-1 2015-R-B-2 2015-R-B-3 2015-R-B-4	200 x 89	150	30 40 30 40	30 30 40 40						
2017-R-B-1 2017-R-B-2 2017-R-B-3 2017-R-B-4	200 x 114	175	30 40 30 40	30 30 40 40						
2020-R-B-1 2020-R-B-2 2020-R-B-3 2020-R-B-4	200 x 139	200	30 40 30 40	30 30 40 40						
2512-R-B-1 2512-R-B-2 2512-R-B-3 2512-R-B-4	250 x 64	125	30 40 30 40	30 30 40 40	25	172	39			
2515-R-B-1 2515-R-B-2 2515-R-B-3 2515-R-B-4	250 x 89	150	30 40 30 40	30 30 40 40						
2517-R-B-1 2517-R-B-2 2517-R-B-3 2517-R-B-4	250 x 114	175	30 40 30 40	30 30 40 40						
2520-R-B-1 2520-R-B-2 2520-R-B-3 2520-R-B-4	250 x 139	200	30 40 30 40	30 30 40 40						
2525-R-B-1 2525-R-B-2 2525-R-B-3 2525-R-B-4	250 x 189	250	30 40 30 40	30 30 40 40						

Rear pillar die sets can be supplied with reversed configuration (longer from front to back).

CATALOGUE NUMBER	DIE SPACE	B <sub>1</sub>	C <sub>1±2</sub>	C <sub>2±2</sub>	D	E	P
	A x B						
3117-R-B-1 3117-R-B-2 3117-R-B-3 3117-R-B-4	315 x 100	175	40 50 40 50	40 40 50 50	32	219	48
3120-R-B-1 3120-R-B-2 3120-R-B-3 3120-R-B-4	315 x 125	200	40 50 40 50	40 40 50 50			
3125-R-B-1 3125-R-B-2 3125-R-B-3 3125-R-B-4	315 x 175	250	40 50 40 50	40 40 50 50			
3131-R-B-1 3131-R-B-2 3131-R-B-3 3131-R-B-4	315 x 240	315	40 50 40 50	40 40 50 50			
4020-R-B-1 4020-R-B-2 4020-R-B-3 4020-R-B-4	400 x 125	200	40 50 40 50	40 40 50 50	32	304	48
4025-R-B-1 4025-R-B-2 4025-R-B-3 4025-R-B-4	400 x 175	250	40 50 40 50	40 40 50 50			
4031-R-B-1 4031-R-B-2 4031-R-B-3 4031-R-B-4	400 x 226	315	40 50 40 50	40 40 50 50	40	288	56
4040-R-B-1 4040-R-B-2 4040-R-B-3 4040-R-B-4	400 x 311	400	40 50 40 50	40 40 50 50			
5025-R-B-1 5025-R-B-2 5025-R-B-3 5025-R-B-4	500 x 161	250	40 50 40 50	40 40 50 50	40	388	56
5031-R-B-1 5031-R-B-2 5031-R-B-3 5031-R-B-4	500 x 226	315	40 50 40 50	40 40 50 50			
5040-R-B-1 5040-R-B-2 5040-R-B-3 5040-R-B-4	500 x 311	400	40 50 40 50	40 40 50 50			
5050-R-B-1 5050-R-B-2 5050-R-B-3 5050-R-B-4	500 x 411	500	40 50 40 50	40 40 50 50			
6331-R-B-1 6331-R-B-2 6331-R-B-3 6331-R-B-4	630 x 210	315	50 58 50 58	50 50 58 58	50	502	64
6340-R-B-1 6340-R-B-2 6340-R-B-3 6340-R-B-4	630 x 295	400	50 58 50 58	50 50 58 58			
6350-R-B-1 6350-R-B-2 6350-R-B-3 6350-R-B-4	630 x 395	500	50 58 50 58	50 50 58 58			
6363-R-B-1 6363-R-B-2 6363-R-B-3 6363-R-B-4	630 x 525	630	50 58 50 58	50 50 58 58			
7140-R-B-1 7140-R-B-2 7140-R-B-3 7140-R-B-4	710 x 295	400	58 63 58 63	58 58 63 63	50	582	64
7150-R-B-1 7150-R-B-2 7150-R-B-3 7150-R-B-4	710 x 395	500	58 63 58 63	58 58 63 63			
7163-R-B-1 7163-R-B-2 7163-R-B-3 7163-R-B-4	710 x 525	630	58 63 58 63	58 58 63 63			
8040-R-B-1 8040-R-B-2 8040-R-B-3 8040-R-B-4	800 x 295	400	58 63 58 63	58 58 63 63			
8050-R-B-1 8050-R-B-2 8050-R-B-3 8050-R-B-4	800 x 395	500	58 63 58 63	58 58 63 63	50	672	64
8063-R-B-1 8063-R-B-2 8063-R-B-3 8063-R-B-4	800 x 525	630	58 63 58 63	58 58 63 63			

Demountable pillars and bushes can be fitted where daylight permits at extra cost.



## C3 PLATE TO ORDER

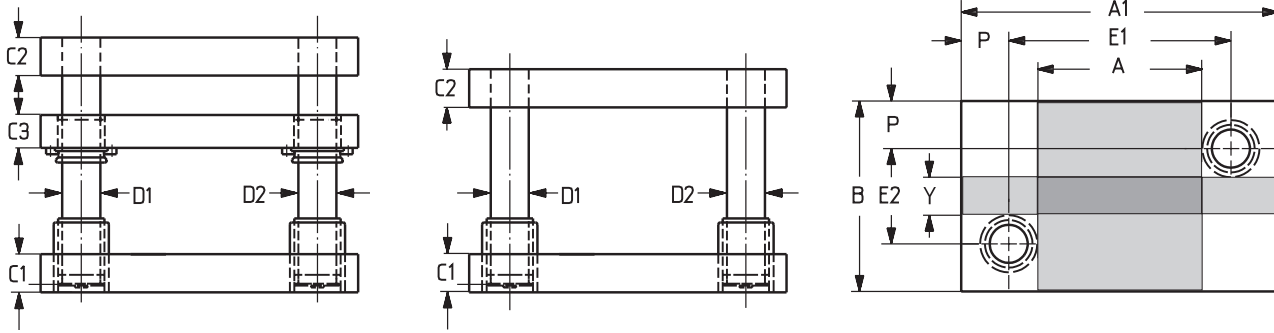
### NOTES

- When ordering state preferred ball bush type.
- Die sets with 18 and 19, 24 and 25 diameter elements will have pillars in base and be fitted with BAC type bushes.\*
- When using demountable bushes die space **A** will be reduced.

CATALOGUE NUMBER	DIE SPACE	A <sub>1</sub>	C <sub>1</sub> ±2	C <sub>2</sub> ±2	D <sub>1</sub>	D <sub>2</sub>	E	P
	A x B							
1608-C-B-1 1608-C-B-2 1608-C-B-3 1608-C-B-4	68 x 80	160	25 30 25 30	25 25 30 30	18*	19*	104	28
1612-C-B-1 1612-C-B-2 1612-C-B-3 1612-C-B-4	68 x 125	160	25 30 25 30	25 25 30 30				
1615-C-B-1 1615-C-B-2 1615-C-B-3 1615-C-B-4	68 x 150	160	25 30 25 30	25 25 30 30				
2010-C-B-1 2010-C-B-2 2010-C-B-3 2010-C-B-4	80 x 100	200	30 40 30 40	30 30 40 40	24*	25*	122	39
2017-C-B-1 2017-C-B-2 2017-C-B-3 2017-C-B-4	80 x 175	200	30 40 30 40	30 30 40 40				
2020-C-B-1 2020-C-B-2 2020-C-B-3 2020-C-B-4	80 x 200	200	30 40 30 40	30 30 40 40				
2512-C-B-1 2512-C-B-2 2512-C-B-3 2512-C-B-4	130 x 125	250	30 40 30 40	30 30 40 40	24*	25*	172	39
2515-C-B-1 2515-C-B-2 2515-C-B-3 2515-C-B-4	130 x 150	250	30 40 30 40	30 30 40 40				
2517-C-B-1 2517-C-B-2 2517-C-B-3 2517-C-B-4	130 x 175	250	30 40 30 40	30 30 40 40				
2520-C-B-1 2520-C-B-2 2520-C-B-3 2520-C-B-4	130 x 200	250	30 40 30 40	30 30 40 40	24*	25*	172	39
2525-C-B-1 2525-C-B-2 2525-C-B-3 2525-C-B-4	130 x 250	250	30 40 30 40	30 30 40 40				

CATALOGUE NUMBER	DIE SPACE	A <sub>1</sub>	C <sub>1±2</sub>	C <sub>2±2</sub>	D <sub>1</sub>	D <sub>2</sub>	E	P
	A x B							
3117-C-B-1 3117-C-B-2 3117-C-B-3 3117-C-B-4	165 x 175	315	40 50 40 50	40 40 50 50	25	32	219	48
3120-C-B-1 3120-C-B-2 3120-C-B-3 3120-C-B-4	165 x 200	315	40 50 40 50	40 40 50 50				
3125-C-B-1 3125-C-B-2 3125-C-B-3 3125-C-B-4	165 x 250	315	40 50 40 50	40 40 50 50				
3131-C-B-1 3131-C-B-2 3131-C-B-3 3131-C-B-4	165 x 315	315	40 50 40 50	40 40 50 50				
4020-C-B-1 4020-C-B-2 4020-C-B-3 4020-C-B-4	223 x 200	400	40 50 40 50	40 40 50 50	32	40	288	56
4025-C-B-1 4025-C-B-2 4025-C-B-3 4025-C-B-4	223 x 250	400	40 50 40 50	40 40 50 50				
4031-C-B-1 4031-C-B-2 4031-C-B-3 4031-C-B-4	223 x 315	400	40 50 40 50	40 40 50 50				
4040-C-B-1 4040-C-B-2 4040-C-B-3 4040-C-B-4	223 x 400	400	40 50 40 50	40 40 50 50				
5025-C-B-1 5025-C-B-2 5025-C-B-3 5025-C-B-4	323 x 250	500	40 50 40 50	40 40 50 50	32	40	388	56
5031-C-B-1 5031-C-B-2 5031-C-B-3 5031-C-B-4	323 x 315	500	40 50 40 50	40 40 50 50				
5040-C-B-1 5040-C-B-2 5040-C-B-3 5040-C-B-4	323 x 400	500	40 50 40 50	40 40 50 50				
5050-C-B-1 5050-C-B-2 5050-C-B-3 5050-C-B-4	323 x 500	500	40 50 40 50	40 40 50 50				
6331-C-B-1 6331-C-B-2 6331-C-B-3 6331-C-B-4	421 x 315	630	50 58 50 58	50 50 58 58	40	50	502	64
6340-C-B-1 6340-C-B-2 6340-C-B-3 6340-C-B-4	421 x 400	630	50 58 50 58	50 50 58 58				
6350-C-B-1 6350-C-B-2 6350-C-B-3 6350-C-B-4	421 x 500	630	50 58 50 58	50 50 58 58				
6363-C-B-1 6363-C-B-2 6363-C-B-3 6363-C-B-4	421 x 630	630	50 58 50 58	50 50 58 58				
7140-C-B-1 7140-C-B-2 7140-C-B-3 7140-C-B-4	469 x 400	710	58 63 58 63	58 58 63 63	50	63	564	73
7150-C-B-1 7150-C-B-2 7150-C-B-3 7150-C-B-4	469 x 500	710	58 63 58 63	58 58 63 63				
7163-C-B-1 7163-C-B-2 7163-C-B-3 7163-C-B-4	469 x 630	710	58 63 58 63	58 58 63 63				
8040-C-B-1 8040-C-B-2 8040-C-B-3 8040-C-B-4	559 x 400	800	58 63 58 63	58 58 63 63				
8050-C-B-1 8050-C-B-2 8050-C-B-3 8050-C-B-4	559 x 500	800	58 63 58 63	58 58 63 63	50	63	654	73
8063-C-B-1 8063-C-B-2 8063-C-B-3 8063-C-B-4	559 x 630	800	58 63 58 63	58 58 63 63				

Demountable pillars and bushes can be fitted where daylight permits at extra cost.



### C3 PLATE TO ORDER

Pillar positions can be mirrored if required.

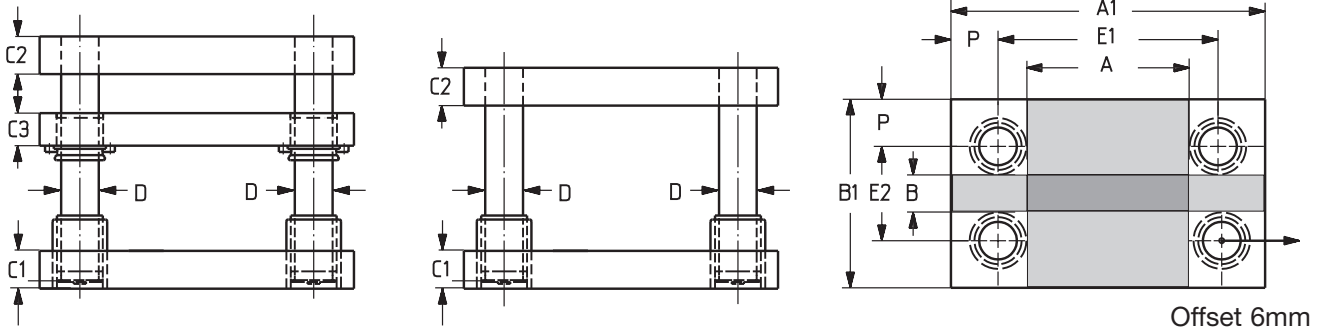
### NOTES

- When ordering state preferred ball bush type.
- Die sets with 18 and 19, 24 and 25 diameter elements will have pillars in base and be fitted with BAC type bushes.\*
- When using demountable bushes die space **A** and **Y** will be reduced.

CATALOGUE NUMBER	DIE SPACE	Y	A <sub>1</sub>	C <sub>1</sub> ±2	C <sub>2</sub> ±2	D <sub>1</sub>	D <sub>2</sub>	E <sub>1</sub>	E <sub>2</sub>	P
	A x B									
1612-D-B-1 1612-D-B-2 1612-D-B-3 1612-D-B-4	68 x 125	33	160	25 30 25 30	25 25 30 30	18*	19*	104	69	28
1615-D-B-1 1615-D-B-2 1615-D-B-3 1615-D-B-4	68 x 150	58	160	25 30 25 30	25 25 30 30			104	94	
2017-D-B-1 2017-D-B-2 2017-D-B-3 2017-D-B-4	80 x 175	55	200	30 40 30 40	30 30 40 40	24*	25*	122	97	39
2020-D-B-1 2020-D-B-2 2020-D-B-3 2020-D-B-4	80 x 200	80	200	30 40 30 40	30 30 40 40			122	122	
2515-D-B-1 2515-D-B-2 2515-D-B-3 2515-D-B-4	130 x 150	30	250	30 40 30 40	30 30 40 40	24*	25*	172	72	39
2517-D-B-1 2517-D-B-2 2517-D-B-3 2517-D-B-4	130 x 175	55	250	30 40 30 40	30 30 40 40			172	97	
2520-D-B-1 2520-D-B-2 2520-D-B-3 2520-D-B-4	130 x 200	80	250	30 40 30 40	30 30 40 40			172	122	
2525-D-B-1 2525-D-B-2 2525-D-B-3 2525-D-B-4	130 x 250	130	250	30 40 30 40	30 30 40 40			172	172	
3117-D-B-1 3117-D-B-2 3117-D-B-3 3117-D-B-4	165 x 175	25	315	40 50 40 50	40 40 50 50	25	32	219	79	48
3120-D-B-1 3120-D-B-2 3120-D-B-3 3120-D-B-4	165 x 200	50	315	40 50 40 50	40 40 50 50			219	104	
3125-D-B-1 3125-D-B-2 3125-D-B-3 3125-D-B-4	165 x 250	100	315	40 50 40 50	40 40 50 50			219	154	
3131-D-B-1 3131-D-B-2 3131-D-B-3 3131-D-B-4	165 x 315	165	315	40 50 40 50	40 40 50 50			219	219	

CATALOGUE NUMBER	DIE SPACE	Y	A <sub>1</sub>	C <sub>1±2</sub>	C <sub>2±2</sub>	D <sub>1</sub>	D <sub>2</sub>	E <sub>1</sub>	E <sub>2</sub>	P
	A x B									
4020-D-B-1 4020-D-B-2 4020-D-B-3 4020-D-B-4	223 x 200	23	400	40 50 40 50	40 40 50 50	32	40	288	88	56
4025-D-B-1 4025-D-B-2 4025-D-B-3 4025-D-B-4	223 x 250	73	400	40 50 40 50	40 40 50 50			288	138	
4031-D-B-1 4031-D-B-2 4031-D-B-3 4031-D-B-4	223 x 315	138	400	40 50 40 50	40 40 50 50			288	203	
4040-D-B-1 4040-D-B-2 4040-D-B-3 4040-D-B-4	223 x 400	223	400	40 50 40 50	40 40 50 50			288	288	
5025-D-B-1 5025-D-B-2 5025-D-B-3 5025-D-B-4	323 x 250	73	500	40 50 40 50	40 40 50 50	32	40	388	138	56
5031-D-B-1 5031-D-B-2 5031-D-B-3 5031-D-B-4	323 x 315	138	500	40 50 40 50	40 40 50 50			388	203	
5040-D-B-1 5040-D-B-2 5040-D-B-3 5040-D-B-4	323 x 400	223	500	40 50 40 50	40 40 50 50			388	288	
5050-D-B-1 5050-D-B-2 5050-D-B-3 5050-D-B-4	323 x 500	323	500	40 50 40 50	40 40 50 50			388	388	
6331-D-B-1 6331-D-B-2 6331-D-B-3 6331-D-B-4	421 x 315	106	630	50 58 50 58	50 50 58 58	40	50	502	187	64
6340-D-B-1 6340-D-B-2 6340-D-B-3 6340-D-B-4	421 x 400	191	630	50 58 50 58	50 50 58 58			502	272	
6350-D-B-1 6350-D-B-2 6350-D-B-3 6350-D-B-4	421 x 500	291	630	50 58 50 58	50 50 58 58			502	372	
6363-D-B-1 6363-D-B-2 6363-D-B-3 6363-D-B-4	421 x 630	421	630	50 58 50 58	50 50 58 58			502	502	
7140-D-B-1 7140-D-B-2 7140-D-B-3 7140-D-B-4	469 x 400	159	710	58 63 58 63	58 58 63 63	50	63	564	254	73
7150-D-B-1 7150-D-B-2 7150-D-B-3 7150-D-B-4	469 x 500	259	710	58 63 58 63	58 58 63 63			564	354	
7163-D-B-1 7163-D-B-2 7163-D-B-3 7163-D-B-4	469 x 630	389	710	58 63 58 63	58 58 63 63			564	484	
8040-D-B-1 8040-D-B-2 8040-D-B-3 8040-D-B-4	559 x 400	159	800	58 63 58 63	58 58 63 63			654	254	
8050-D-B-1 8050-D-B-2 8050-D-B-3 8050-D-B-4	559 x 500	259	800	58 63 58 63	58 58 63 63	50	63	654	354	73
8063-D-B-1 8063-D-B-2 8063-D-B-3 8063-D-B-4	559 x 630	389	800	58 63 58 63	58 58 63 63			654	484	

Demountable pillars and bushes can be fitted where daylight permits at extra cost.



## C3 PLATE TO ORDER

### NOTES

- When ordering state preferred ball bush type.
- Die sets with 19 diameter elements will have pillars in base and be fitted with BAC type bushes.\*
- When using demountable bushes die space **A** and **B** will be reduced.

CATALOGUE NUMBER	BETWEEN BUSHES		A <sub>1</sub>	B <sub>1</sub>	C <sub>1</sub> ±2	C <sub>2</sub> ±2	D	E <sub>1</sub>	E <sub>2</sub>	P
	A	B								
1612-F-B-1 1612-F-B-2 1612-F-B-3 1612-F-B-4	68	33	160	125	25 30 25 30	25 25 30 30	19*	104	69	28
1615-F-B-1 1615-F-B-2 1615-F-B-3 1615-F-B-4	68	58	160	150	25 30 25 30	25 25 30 30		104	94	
2012-F-B-1 2012-F-B-2 2012-F-B-3 2012-F-B-4	108	33	200	125	30 40 30 40	30 30 40 40	19*	144	69	28
2015-F-B-1 2015-F-B-2 2015-F-B-3 2015-F-B-4	108	58	200	150	30 40 30 40	30 30 40 40		144	94	
2017-F-B-1 2017-F-B-2 2017-F-B-3 2017-F-B-4	108	83	200	175	30 40 30 40	30 30 40 40		144	119	
2020-F-B-1 2020-F-B-2 2020-F-B-3 2020-F-B-4	108	108	200	200	30 40 30 40	30 30 40 40		144	144	
2515-F-B-1 2515-F-B-2 2515-F-B-3 2515-F-B-4	130	30	250	150	30 40 30 40	30 30 40 40	25	172	72	39
2517-F-B-1 2517-F-B-2 2517-F-B-3 2517-F-B-4	130	55	250	175	30 40 30 40	30 30 40 40		172	97	
2520-F-B-1 2520-F-B-2 2520-F-B-3 2520-F-B-4	130	80	250	200	30 40 30 40	30 30 40 40		172	122	
2525-F-B-1 2525-F-B-2 2525-F-B-3 2525-F-B-4	130	130	250	250	30 40 30 40	30 30 40 40	172	172		

CATALOGUE NUMBER	BETWEEN BUSHES		A <sub>1</sub>	B <sub>1</sub>	C <sub>1±2</sub>	C <sub>2±2</sub>	D	E <sub>1</sub>	E <sub>2</sub>	P
	A	B								
3117-F-B-1 3117-F-B-2 3117-F-B-3 3117-F-B-4	182	42	315	175	40 50 40 50	40 40 50 50	25	237	97	39
3120-F-B-1 3120-F-B-2 3120-F-B-3 3120-F-B-4	182	67	315	200	40 50 40 50	40 40 50 50		237	122	
3125-F-B-1 3125-F-B-2 3125-F-B-3 3125-F-B-4	182	117	315	250	40 50 40 50	40 40 50 50		237	172	
3131-F-B-1 3131-F-B-2 3131-F-B-3 3131-F-B-4	182	182	315	315	40 50 40 50	40 40 50 50		237	237	
4020-F-B-1 4020-F-B-2 4020-F-B-3 4020-F-B-4	250	50	400	200	40 50 40 50	40 40 50 50	32	304	104	48
4025-F-B-1 4025-F-B-2 4025-F-B-3 4025-F-B-4	250	100	400	250	40 50 40 50	40 40 50 50		304	154	
4031-F-B-1 4031-F-B-2 4031-F-B-3 4031-F-B-4	250	165	400	315	40 50 40 50	40 40 50 50		304	219	
4040-F-B-1 4040-F-B-2 4040-F-B-3 4040-F-B-4	250	250	400	400	40 50 40 50	40 40 50 50		304	304	
5025-F-B-1 5025-F-B-2 5025-F-B-3 5025-F-B-4	350	100	500	250	40 50 40 50	40 40 50 50	32	404	154	48
5031-F-B-1 5031-F-B-2 5031-F-B-3 5031-F-B-4	350	165	500	315	40 50 40 50	40 40 50 50		404	219	
5040-F-B-1 5040-F-B-2 5040-F-B-3 5040-F-B-4	350	250	500	400	40 50 40 50	40 40 50 50		404	304	
5050-F-B-1 5050-F-B-2 5050-F-B-3 5050-F-B-4	350	350	500	500	40 50 40 50	40 40 50 50		404	404	
6331-F-B-1 6331-F-B-2 6331-F-B-3 6331-F-B-4	453	138	630	315	50 58 50 58	50 50 58 58	40	518	203	56
6340-F-B-1 6340-F-B-2 6340-F-B-3 6340-F-B-4	453	223	630	400	50 58 50 58	50 50 58 58		518	288	
6350-F-B-1 6350-F-B-2 6350-F-B-3 6350-F-B-4	453	323	630	500	50 58 50 58	50 50 58 58		518	388	
6363-F-B-1 6363-F-B-2 6363-F-B-3 6363-F-B-4	453	453	630	630	50 58 50 58	50 50 58 58		518	518	
7140-F-B-1 7140-F-B-2 7140-F-B-3 7140-F-B-4	501	191	710	400	58 63 58 63	58 58 63 63	50	582	272	64
7150-F-B-1 7150-F-B-2 7150-F-B-3 7150-F-B-4	501	291	710	500	58 63 58 63	58 58 63 63		582	372	
7163-F-B-1 7163-F-B-2 7163-F-B-3 7163-F-B-4	501	421	710	630	58 63 58 63	58 58 63 63		582	502	
8040-F-B-1 8040-F-B-2 8040-F-B-3 8040-F-B-4	591	191	800	400	58 63 58 63	58 58 63 63		672	272	
8050-F-B-1 8050-F-B-2 8050-F-B-3 8050-F-B-4	591	291	800	500	58 63 58 63	58 58 63 63	50	672	372	64
8063-F-B-1 8063-F-B-2 8063-F-B-3 8063-F-B-4	591	421	800	630	58 63 58 63	58 58 63 63		672	502	

Demountable pillars and bushes can be fitted where daylight permits at extra cost.

BLANK PAGE