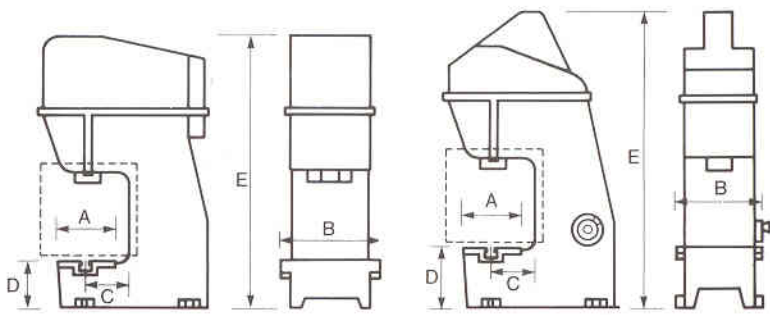
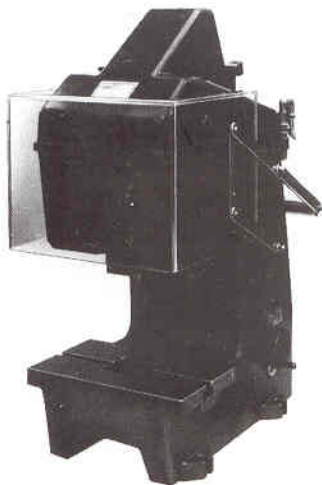




PNEUMATIC TOGGLE PRESSES



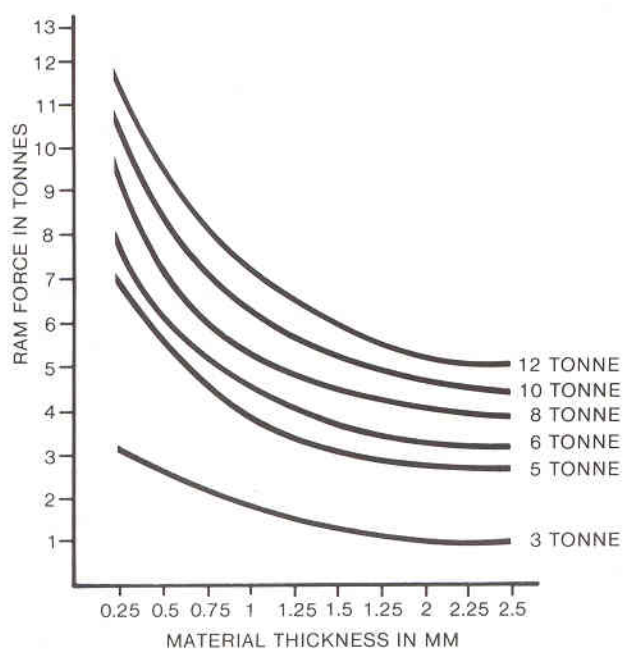
L3VB

M5VB and H SERIES

SPECIFICATION

TYPE	CAPACITY TONNES 5.5 BAR (80 lb/in ²)	STROKE (VARIABLE) mm	CYCLING SPEED AT 13mm STROKE strokes/min	MAX. AIR CONSUMPTION L/STROKE (cu. ft./stroke)	WEIGHT kg	HOLE IN RAM x DEPTH mm	OPENING IN BED mm	MAX. RAM OPEN HEIGHT mm	RAM SHUT HEIGHT mm	RAM ADJUSTMENT mm	A mm	B mm	C mm	D mm	E mm
L3VB	3	0-51	220	8.5 (0.303)	118	25 x 32	76 x 51	203	152	13	178	279	140	121	635
M5VB	5	0-51	155	21 (0.736)	159	25 x 45	89 x 76	229	178	19	203	305	152	137	762
H6VB	6	0-83	145	34 (1.21)	286	25 x 45	89 x 76	254	171	25	229	356	216	178	889
H8VB	8	0-63.5	145	34 (1.21)	286	25 x 45	89 x 76	254	191	25	229	356	216	178	889
H10VB	10	0-51	145	34 (1.21)	286	25 x 45	89 x 76	254	203	25	229	356	216	178	889
H12VB	12	0-38	135	34 (1.21)	286	25 x 45	89 x 76	254	216	25	229	356	216	178	889

1) Stroke down, adjustment up



- One piece cast frame
- Adjustable stroke
- Powered return stroke
- Transparent safety guard supplied

Danly Pneumatic Toggle Presses have been designed to ensure accuracy and reliability with the minimum of maintenance costs. They are suitable for both short and long production runs and are compact enough to be installed on assembly lines. This allows them to be used for a variety of assembly operations, in addition to conventional presswork such as blanking, piercing, forming, etc.

OPTIONAL EQUIPMENT
 Continuous cycling attachment
 Foot control (interlocked with guard)
 * Filter/Lubricator/Regulator unit

★ It is a condition of the Guarantee that a Filter/Lubricator/Regulator be used in the air line directly feeding the press.

ORDERING: Please contact Danly Sales Office to determine your exact requirements for presses and optional equipment.